



**INFINOX**



## U23X17X9

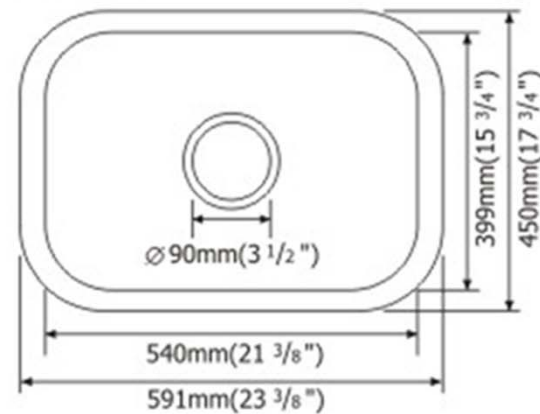
### SPECIFICATION

Depth	Gauge
9"	18g

### FEATURES:

- ✔ Premium Grade T-304 Stainless Steel
- ✔ Lustrous Satin
- ✔ Highlighted Rim
- ✔ 3 1/2" Drain Opening
- ✔ Heavy Duty Sound Deadening Pads Plus Fully Coating Underneath
- ✔ Supplied With Fasteners And Cutout Template (DXF File Available)
- ✔ cUPC Certificate Approved

### DRAWING:





# U23X21X9

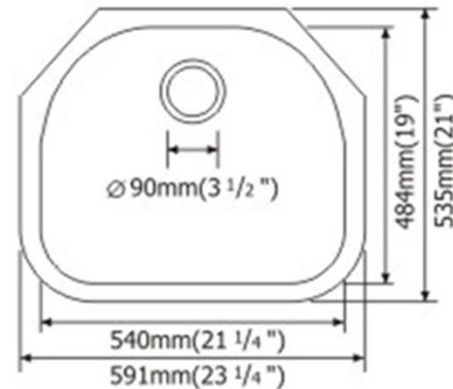
## SPECIFICATION

Depth	Gauge
9"	18g

## FEATURES:

- ✔ Premium Grade T-304 Stainless Steel
- ✔ Lustrous Satin
- ✔ Highlighted Rim
- ✔ 3 1/2" Drain Opening
- ✔ Heavy Duty Sound Deadening Pads Plus Fully Coating Underneath
- ✔ Supplied With Fasteners And Cutout Template (DXF File Available)
- ✔ cUPC Certificate Approved

## DRAWING:





## U30X18X9

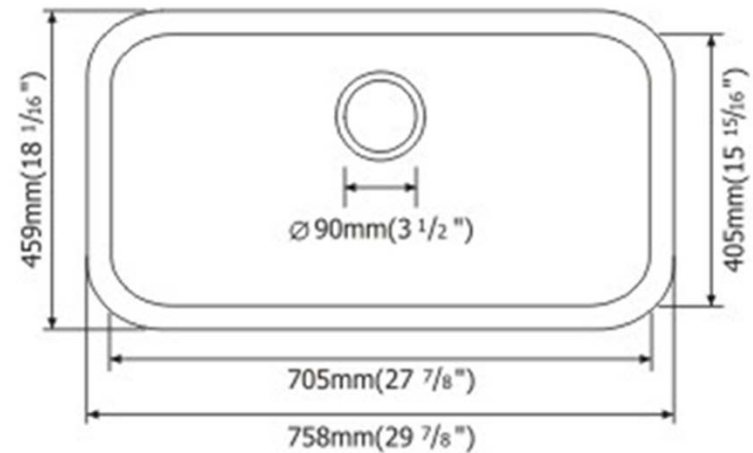
### SPECIFICATION

Depth	Gauge
9"	18g

### FEATURES:

- ✔ Premium Grade T-304 Stainless Steel
- ✔ 9" Depth · 18 Gauge
- ✔ Lustrous Satin
- ✔ Highlighted Rim
- ✔ 3 1/2" Drain Opening
- ✔ Heavy Duty Sound Deadening Pads Plus Fully Coating Underneath
- ✔ Supplied With Fasteners And Cutout Template (DXF File Available)
- ✔ cUPC Certificate Approved

### DRAWING:





## U31X20X9/7.5

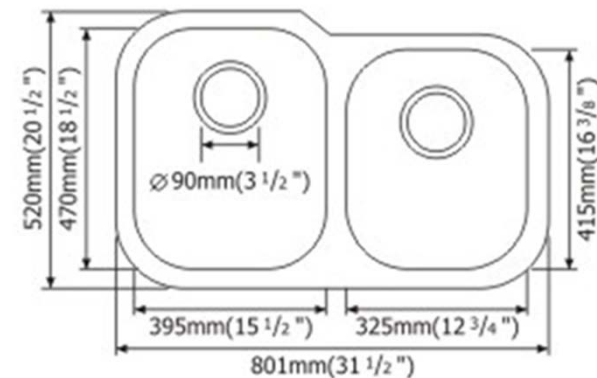
### SPECIFICATION

Depth	Gauge
9"	18g

### FEATURES:

- ✔ Premium Grade T-304 Stainless Steel
- ✔ 9"(big Bowl)/ 7½"(small Bowl) Depth · 18 Gauge
- ✔ Lustrous Satin
- ✔ Highlighted Rim
- ✔ 3½" Drain Opening
- ✔ Heavy Duty Sound Deadening Pads Plus Fully Coating Underneath
- ✔ Supplied With Fasteners And Cutout Template (DXF File Available)
- ✔ cUPC Certificate Approved

### DRAWING:





## U31X20X9R/7.5

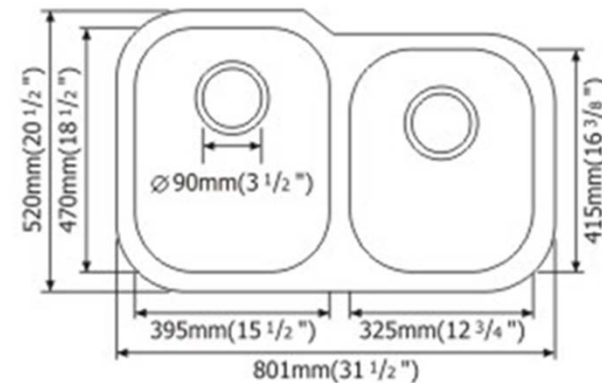
### SPECIFICATION

Depth	Gauge
9"	18g

### FEATURES:

- ✔ Premium Grade T-304 Stainless Steel
- ✔ 9"(big Bowl)/ 7 1/2"(small Bowl) Depth · 18 Gauge
- ✔ Lustrous Satin
- ✔ Highlighted Rim
- ✔ 3 1/2" Drain Opening
- ✔ Heavy Duty Sound Deadening Pads Plus Fully Coating Underneath
- ✔ Supplied With Fasteners And Cutout Template (DXF File Available)
- ✔ cUPC Certificate Approved

### DRAWING:







## U32X18X9

### SPECIFICATION

Depth	Gauge
9"	18g

### FEATURES:

- ✔ Premium Grade T-304 Stainless Steel
- ✔ 9" Depth · 18 Gauge
- ✔ Lustrous Satin
- ✔ Highlighted Rim
- ✔ 3 1/2" Drain Opening
- ✔ Heavy Duty Sound Deadening Pads Plus Fully Coating Underneath
- ✔ Supplied With Fasteners And Cutout Template (DXF File Available)
- ✔ cUPC Certificate Approved

### DRAWING:

