



INFINOX



ST1722A1

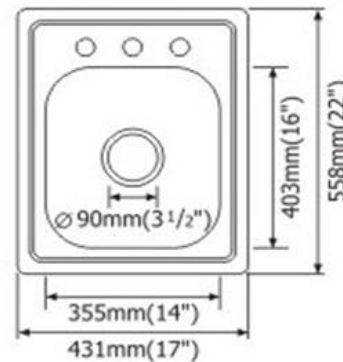
SPECIFICATION

Depth	Gauge	Holes
7"	22g	3

FEATURES:

- 🔒 Premium Grade T-304 Stainless Steel
- 🔒 Lustrous Satin
- 🔒 3 1/2" Drain Opening
- 🔒 Heavy Duty Sound Deadening Pads
- 🔒 Supplied With Fasteners
- 🔒 Complies With cUPC Certificate

DRAWING:





ST2522

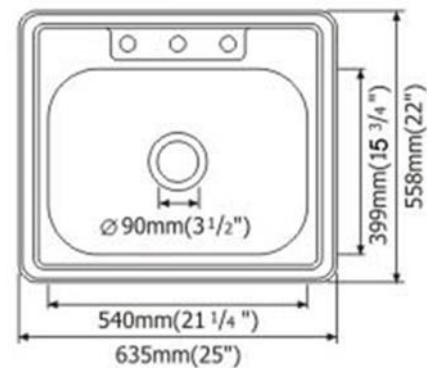
SPECIFICATION

	Depth	Gauge	Holes
A0	6"	22g	3/4
A1	8"	22g	3/4

FEATURES:

- ❑ Premium Grade T-304 Stainless Steel
- ❑ Lustrous Satin
- ❑ 3 1/2" Drain Opening
- ❑ Heavy Duty Sound Deadening Pads
- ❑ Supplied With Fasteners
- ❑ Complies With cUPC Certificate

DRAWING:





ST3322AO

SPECIFICATION

Depth	Gauge	Holes
8"	22g	3/4

FEATURES:

- 🔒 Premium Grade T-304 Stainless Steel
- 🔒 Lustrous Satin
- 🔒 3 1/2" Drain Opening
- 🔒 Heavy Duty Sound Deadening Pads
- 🔒 Supplied With Fasteners
- 🔒 Complies With cUPC Certificate

DRAWING:

